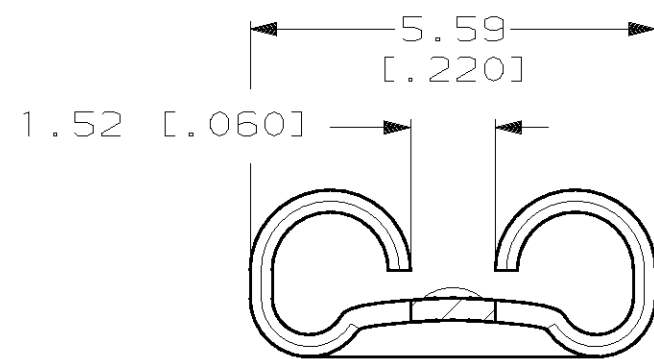
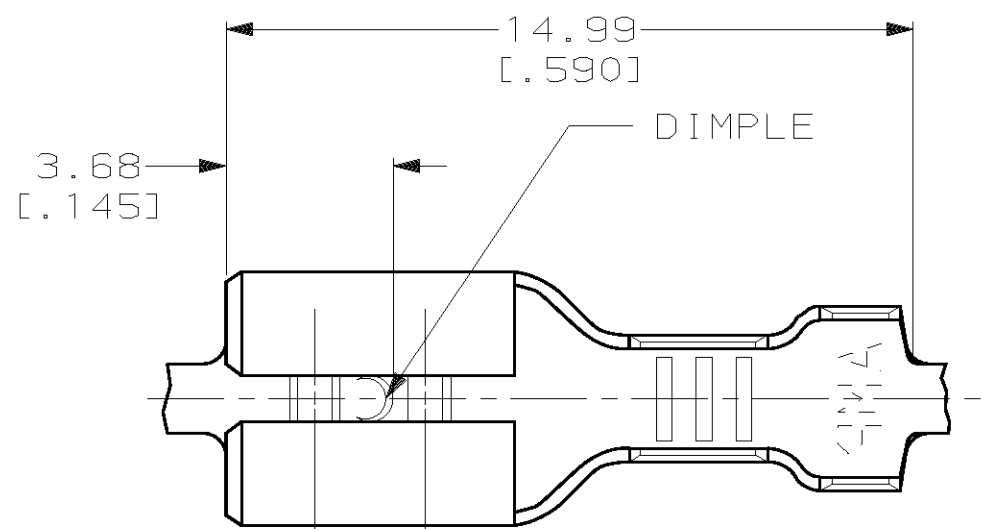


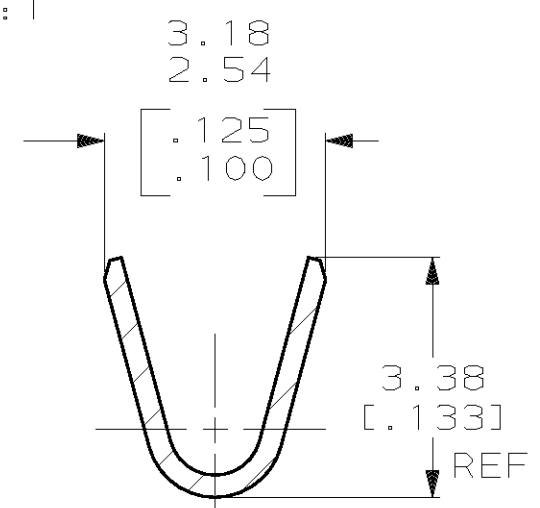
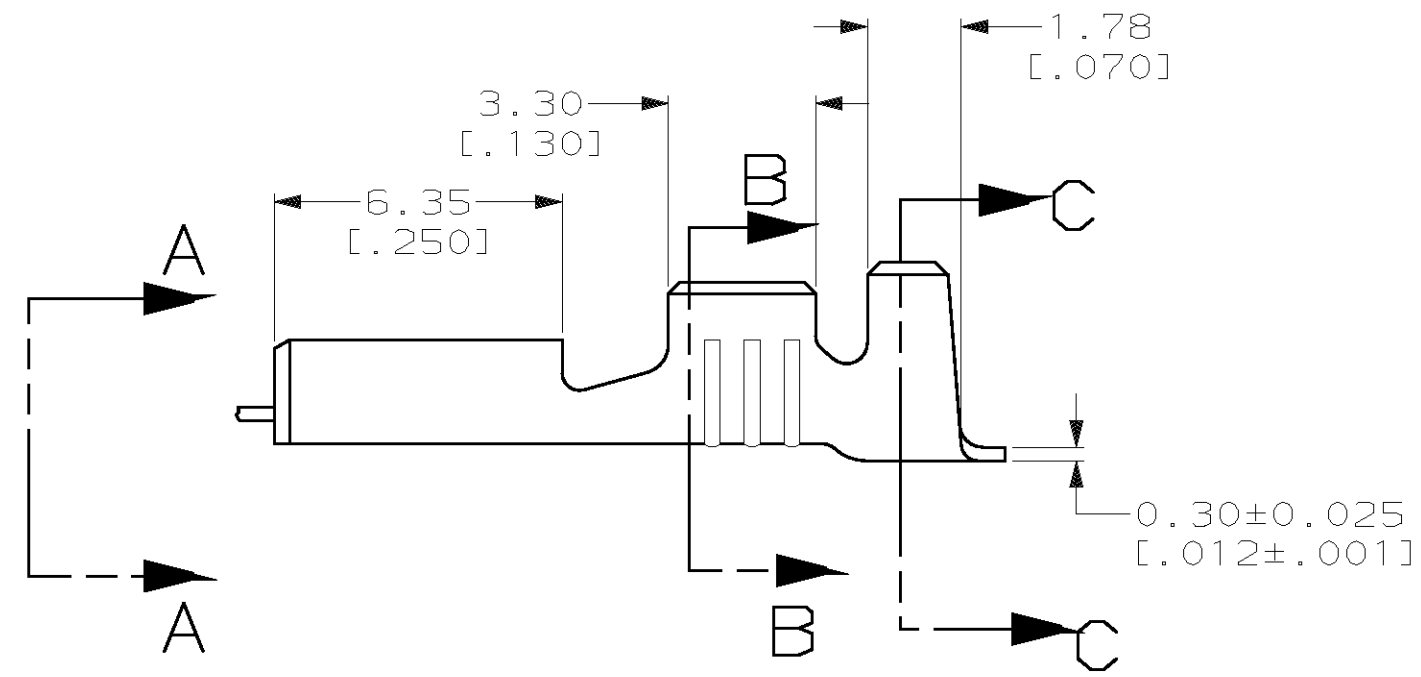
THIS DRAWING IS UNPUBLISHED. RELEASED FOR PUBLICATION, 19  
 © COPYRIGHT 19 BY AMP INCORPORATED. ALL INTERNATIONAL RIGHTS RESERVED.

LOC	DIST	P	F	REVISIONS			
ZONE	LTR	DESCRIPTION	DATE	APPD			
AF	50			D	REDRAWN PER 0L10-0012-98	1/29/98	JR/JG

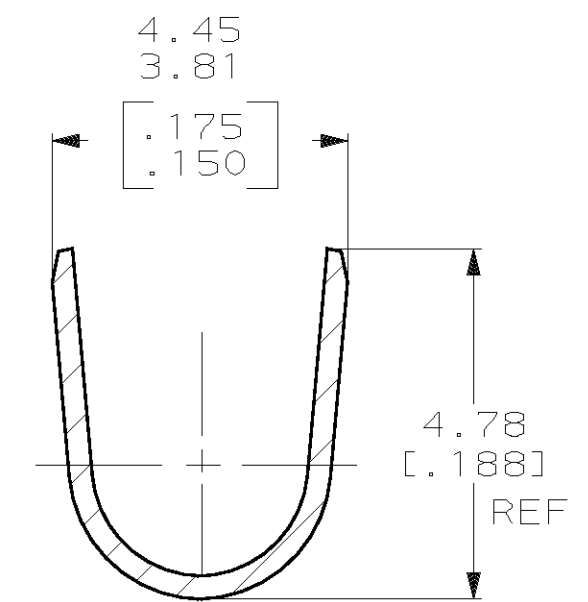


VIEW A-A  
SCALE 10:1

- 1 CONTINUOUS STRIP ON REELS.
- 2 MATING TAB THK IS 0.81±0.025 [.032±.001].
- 3 WIRE SIZE IS [#20-#16] AWG.
- 4 INSULATION RANGE IS 2.29-3.30 [.090-.130] DIA.



SECTION B-B  
SCALE 10:1



SECTION C-C  
SCALE 10:1

62865-1

PART NO

DO NOT SCALE PRINT. UNLESS SPECIFIED DIMENSIONS IN INCHES TOLERANCES ON: 2 PLC DEC ± - 3 PLC DEC ± 0.38 [.015] ANGLES ± -	DR 1/29/98 JR RUTH	<b>AMP</b> AMP INCORPORATED Harrisburg, Pa. 17105
	CHK 1/29/98 MS FEHER	
	APPD 1/29/98 J GILLESPIE	
	APPD 1/29/98 D BRATINA	
MATERIAL #4H BRASS	PRODUCT SPEC -	NAME RECEPTACLE, FASTON, 4.75 [.187] SERIES
FINISH 0.002032 [.000080] MIN TIN	APPLICATION SPEC -	SIZE <b>B</b> CAGE CODE 00779 DRAWING NO 62865
	WEIGHT -	SCALE 6:1 SHEET 1 OF 1